

1 Over view

This phone is a full-feature telephone that provides voice communication. Read this QIG carefully to learn how to operate this product and take advantage of its features

Package Contents

When unpacking the Analog phone, ensure all the following items are present and undamaged. If anything appears to be missing or broken, contact your dealer for a replacement.

1. **Base Unit**
2. **Handset**
3. **Coiled Handset Cord**
4. **Line Cord**
5. **Clear Plastic Faceplate**
6. **User Guide**

2 Product Description

This Chapter contains important information to help you familiarize yourself with the functions of the Analog phone.

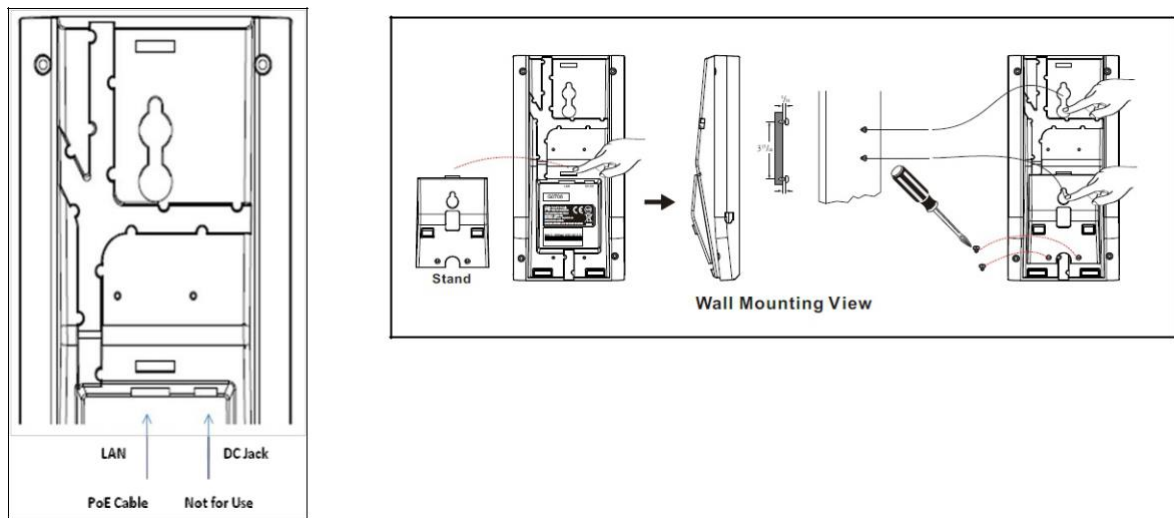
Front View



	Name	Description
1	Ring Indicator	A red light indicator means that you have incoming calls or signals that a message is waiting for retrieval.

3 Installation

The following illustration shows how to install the phone and stand.



4 Operation

Answering a Call

An incoming call is indicated by a ringing tone and a flashing indicator at the top of handset. You can answer the call by doing one of the followings:

- Pick up the **handset** to answer the call.

For technical support, please email to support@aeicomunications.com.tw