

Analog Phone

ASP-6210-S/ASP-6205S

AMT-6210-S/AMT-6205S

QIG v1.0



1 Over view

This phone is a full-feature telephone that provides voice communication. Read this QIG carefully to learn how to operate this product and take advantage of its features.

Package Contents

When unpacking the Analog phone, ensure all the following items are present and undamaged. If anything appears to be missing or broken, contact your dealer for a replacement.

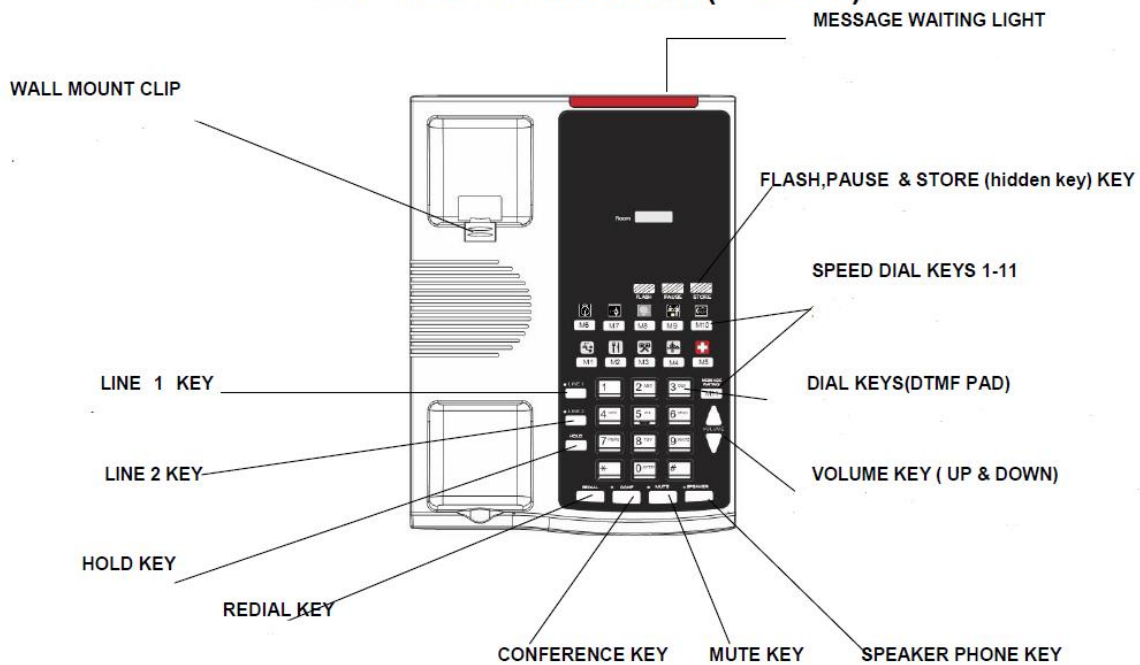
1. Base Unit
2. Handset
3. Coiled Handset Cord
4. Line Cord
5. Clear Plastic Faceplate
6. User Guide

2 Product Description

This chapter contains important information to help you familiarize yourself with the functions of the Analog phone.

Front View

ASP-6210-S DIAGRAM (FRONT)

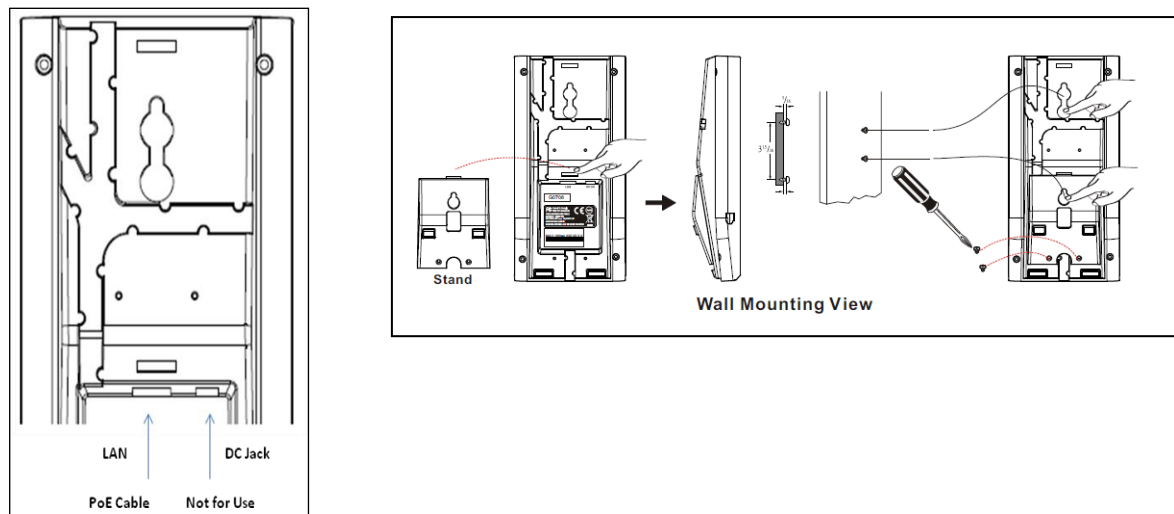


Name	Description
1 Ring Indicator	A red light indicator means that you have incoming calls or signals that a message is waiting for retrieval.
2 Dialing Pad	Press the buttons to dial a phone number or enter alphabetical characters.
3 Speed dial keys	Press to dial one touch of guest services or PBX features. Programmed during installation.
4 Conference key	Press to include two other party in a three-way

	Name	Description
		conversation.
5	Redial key	Press to automatically redial the last number dialed
6	Mute key	Press to mute MIC.
7	Speaker phone key	Press to hear using speaker.
8	Line 1 key	Press to select line 1 for placing a call or receiving a call.
9	Line 2 key	Press to select line 2 for placing a call or receiving a call.
10	Hold key	Press to hold the line without disconnect the line.

3. Installation

The following illustration shows how to install the phone and stand.



4 Operation

Answering a Call

An incoming call is indicated by a ringing tone and a flashing indicator at the top of base. You can answer the call by doing one of the followings:

USING THE HANDSET

- Pick up the **handset** to answer the call.
- If one line is already in use, the ASP-6210-S will automatically select the ringing line.

USING THE SPEAKER PHONE

- Press the **Speaker** key.
- The ASP-6210S will select the ringing line and answer with the speakerphone active.

Making a Call

USING THE HANDSET

- Pick up the **handset**, the “LINE” LED will turn on (if both line are inactive, line 1 will be selected, If one of two line is active, the inactive line will be selected).
- Dial telephone number with the alphanumerical keypad.

USING THE SPEAKER PHONE

- Press either the **Speaker** key or the **Line** key.
- Dial telephone number with the alphanumerical keypad.

For technical support, please email to support@aeicommunications.com.tw
