

# VoIP Phone



SKD-1200 /SKD-1100  
SKD-1203 /SKD-1103  
SKD-9200 /SKD-9100  
SKD-9203 /SKD-9103  
SLN-1200 /SLN-1100  
SLN-1203 /SLN-1103  
SLN-9200 /SLN-9100  
SLN-9203 /SLN-9103

**QIG**  
**V 1.02**

# 1 Over view

This phone is a full-feature telephone that provides voice communication. Read this QIG carefully to learn how to operate this product and take advantage of its features.

## Package Contents

When unpacking the VoIP phone, ensure all the following items are present and undamaged. If anything appears to be missing or broken, contact your dealer for a replacement.

1. Base Unit
2. Handset
3. Wall mount
4. AC Adaptor
5. RJ-45 Cable
6. Quick Installation Guide (This document)

## 2 Product Description

This chapter contains important information to help you familiarize yourself with the functions of the VoIP phone.

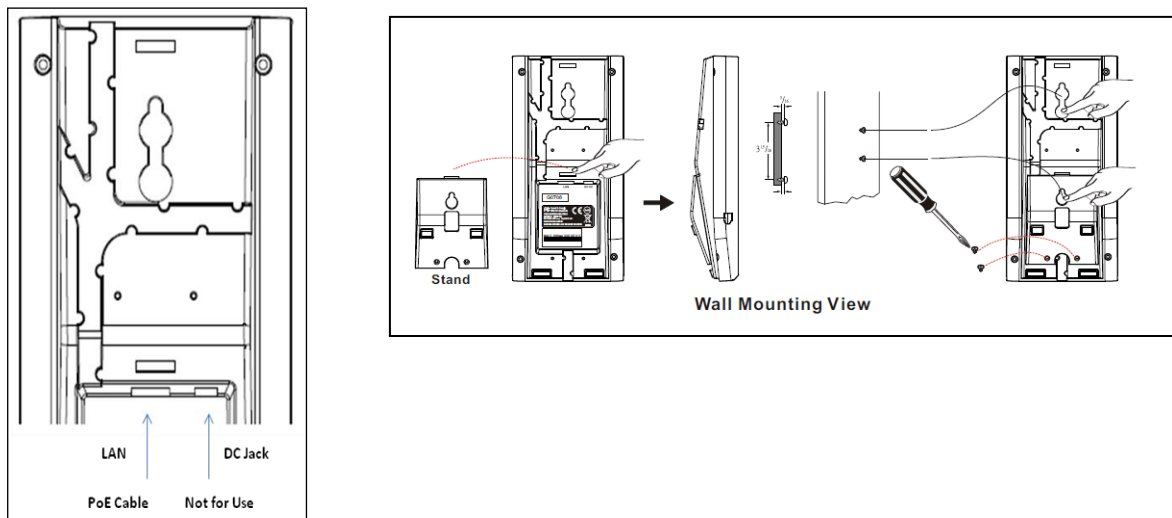
### Front View



	Name	Description
1	Ring Indicator	A red light indicator means that you have incoming calls.
2	Dialing Pad	Press the buttons to dial a phone number or enter alphabetical characters.
3	Speed dial Service Keys	Press any of the keys to speed dial the preset contact number.
4	Hold	Press to put an active call on hold.
5	Redial	Press to call the last number dialed.
6	LINE 1 / LINE 2	There are two LINES bottom in this IP Phone.
7	Volume control keys	Increases or decrease the volume for the currently active voice receiver for handset. The volume button also controls the ringer volume when on-hook.

## 3. Installation

The following illustration shows how to install the phone and stand.



## 4 Operation

### Answering a Call

An incoming call is indicated by a ringing tone and a flashing indicator at the top of both handset and base units. You can answer the call by doing one of the followings:

- Pick up the **handset** to answer the call.

### Making a Call

#### Dialing with the Keypad

- Enter the telephone number with the alphanumerical keypad.
- After entering the number you want to call, press the # key to force dialing or wait for 3 seconds before the number is dialed automatically.

### Call Options

While a call is in progress, a number of additional options are available.

### Putting a Call on Hold

You may want to put a call on hold temporarily while doing some work or attending to a second incoming or outgoing call. To put a call on hold, do one of the following:

- Press the **HOLD** key on the phone to put the call on hold.
- When you receive a second call, press the next available **LINE** key to attend to the new call, and the first call will be put on hold automatically.

## 5 Support

To configure through the web browser, do the following:

- Ensure the phone is powered up and connected to a DHCP network.
- Pick up the handset and then press \*112\*113#, the IP address is announced by the phone.
- Open your browser (such as Chrome, Firefox, etc.) and type in the web address of the phone. For example, http://IP.address.of.thePhone:8000

When the Web login front page is displayed. Enter the user name and the password and click **Login**.  
The administrator's user name and password are "**admin**" and "**1234**" respectively.

For technical support, please email to [support@aeicomcommunications.com.tw](mailto:support@aeicomcommunications.com.tw)

---