

# Analog Phone

VH-6108-S(A)

QIG v1.0



# 1 Overview

This phone is a full-feature telephone that provides voice communication. Read this QIG carefully to learn how to operate this product and take advantage of its features.

## Package Contents

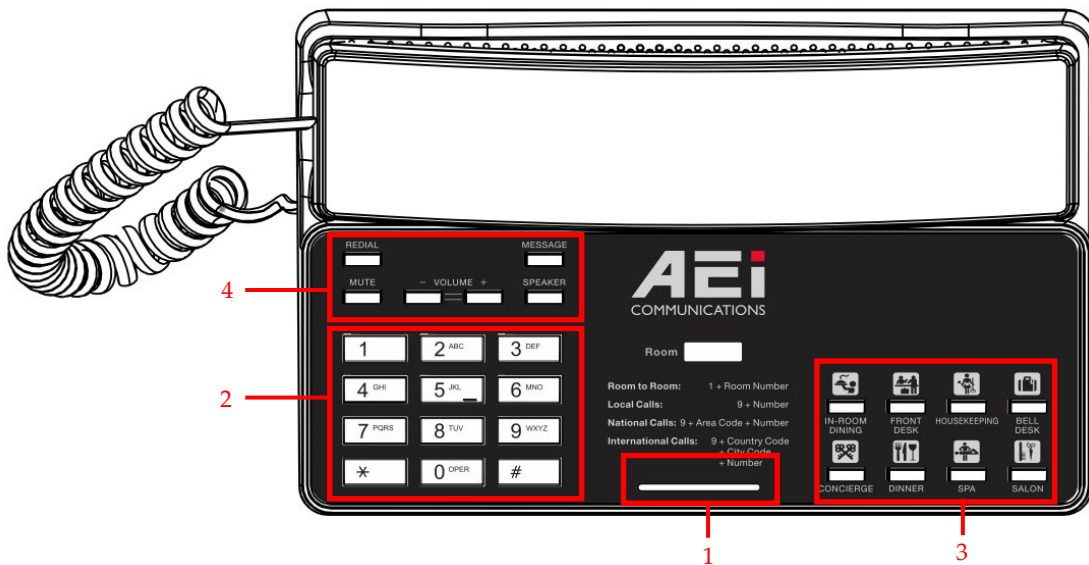
When unpacking the Analog phone, ensure all the following items are present and undamaged. If anything appears to be missing or broken, contact your dealer for a replacement.

1. Base Unit
2. Handset
3. Coiled Handset Cord
4. Line Cord
5. Quick Installation Guide (This document)

## 2 Product Description

This chapter contains important information to help you familiarize yourself with the functions of the Analog phone.

### Front View



Name	Description
1	Ring Indicator
2	Dialing Pad
3	Speed dial Service Keys
4	Function keys
	Redial
	Mute
	Volume control keys

A red light indicator means that you have incoming calls.

Press the buttons to dial a phone number or enter alphabetical characters.

Press any of the keys to speed dial the preset contact number.

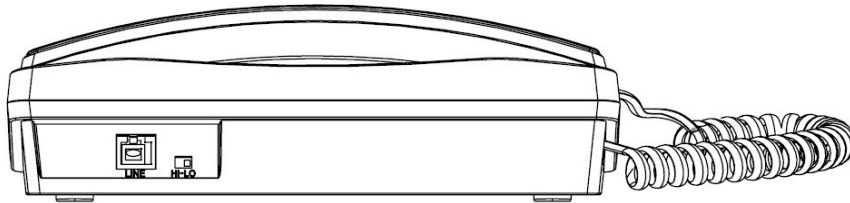
Press to call the last number dialed.

Press to mute MIC.

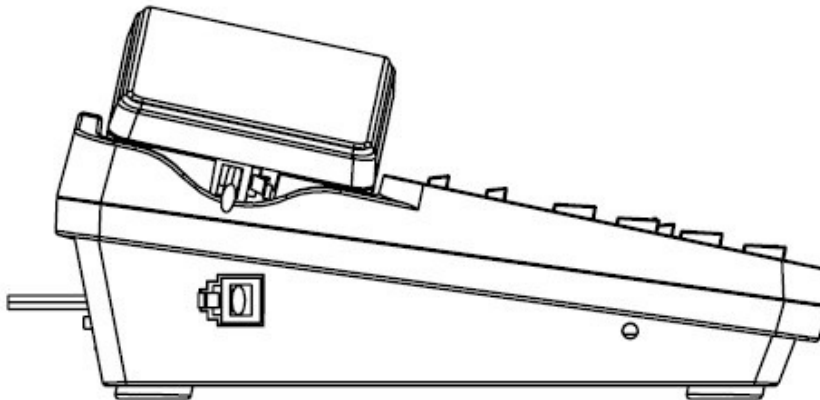
Increases or decrease the volume for the currently active voice receiver for handset or speaker for speakerphone.

Name	Description
MESSAGE	Press to retrieve voice messages.
SPEAKER	Press to activate the speakerphone for hands free conversations.

## Back View



NO.	Name	Description
1	PSTN line port	Connects to PSTN line.
2	Ringer switch	Ring Volume (High/Low)



Name	Description
Handset jack	Connects to handset.

## 3 Operation

### Answering a Call

An incoming call is indicated by a ringing tone and a flashing indicator at the base unit. You can answer the call by doing one of the followings:

#### USING THE HANDSET

- Pick up the **handset** to answer the call

#### USING THE SPEAKER PHONE

- Press the **Speaker** key.

### Making a Call

#### USING THE HANDSET

- Pick up the **handset**, dial telephone number with the alphanumerical keypad.

#### USING THE SPEAKER PHONE

- Press the **Speaker** key, dial telephone number with the alphanumerical keypad.

## 4 Support

For technical support, please email to [support@aeicommunications.com.tw](mailto:support@aeicommunications.com.tw)

Model:

VH-6108-S(A)

---